

Fig -1

CARBIDE LINED GUIDE BUSHINGS - DRAWN TYPE

All Dimensions are in "mm"

Utech Seiki Code	Fig	ØD	L	Angle- α	T (Thread size)	ØE
USR7/02	Fig.1	7	30	16	M6x 0.5	9.5
USR9/04	Fig.1	9	52	30	M9x 0.7	13
USR9/09	Fig.1	9	44	16	M8x 0.75	12.5
USR11/02	Fig.1	11	53	16	M10x 0.75	14.5
USR12/05	Fig.1	12	50	16	M10x 0.75	15.5
USR16/07	Fig.1	16	63	15.5	M14x 1	20
USR16/10	Fig.1	16	58	16	M14x 1	19.8
USR16/12	Fig.1	16	59	16	M14x 1	20.5
USR18/01	Fig.1	18	60	30	M16x 1	21.8
USR18/02	Fig.1	18	60	30	M18x 1	21.8
USR18/03	Fig.1	18	60	30	M18x 1	22
USR22/03	Fig.1	22	70	15	M20x 1	26
USR22/04	Fig.1	22	68	16	M19x 1	29
USR22/08	Fig.1	22	68	16	M22x 1	29
USR23/01	Fig.1	23	72	16	M22x 1	28
USR24/02	Fig.1	24	61	30	M24x 1	30
USR24/03	Fig.1	24	61	30	M24x 1	30



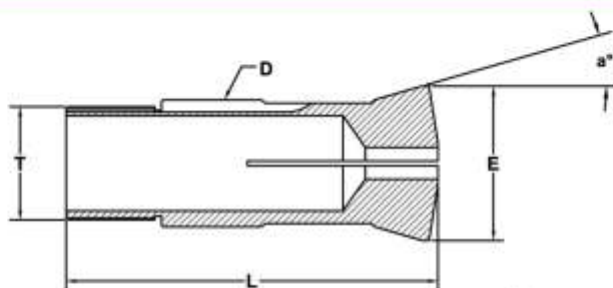


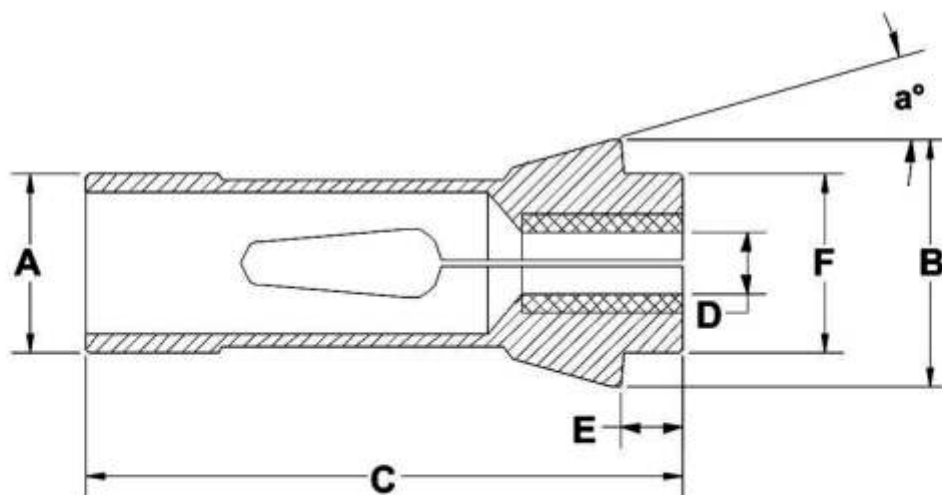
Fig -1

CARBIDE LINED GUIDE BUSHINGS - DRAWN TYPE

All Dimensions are in "mm"

Utech Seiki Code	Fig	ØD	L	Angle- α	T (Thread size)	ØE
USR26/02	Fig.1	26	77	16	M25x 1	29
USR28/02	Fig.1	28	81	30	M25x 1	38
USR28/04	Fig.1	28	81	16	M25x 1	34
USR30/01	Fig.1	30	70	16	M28x 1	36
USR30/05	Fig.1	30	59	16	M30x 1	35
USR34/02	Fig.1	34	87.5	10	M34x 1	41
USR41/01	Fig.1	41	54	10	M38x 1	46
USR42/01	Fig.1	42	82	16	M40x 1	49
USR42/02	Fig.1	42	82	20.5	M40x 1	49
USR45/01	Fig.1	45	82	16	M42X1	



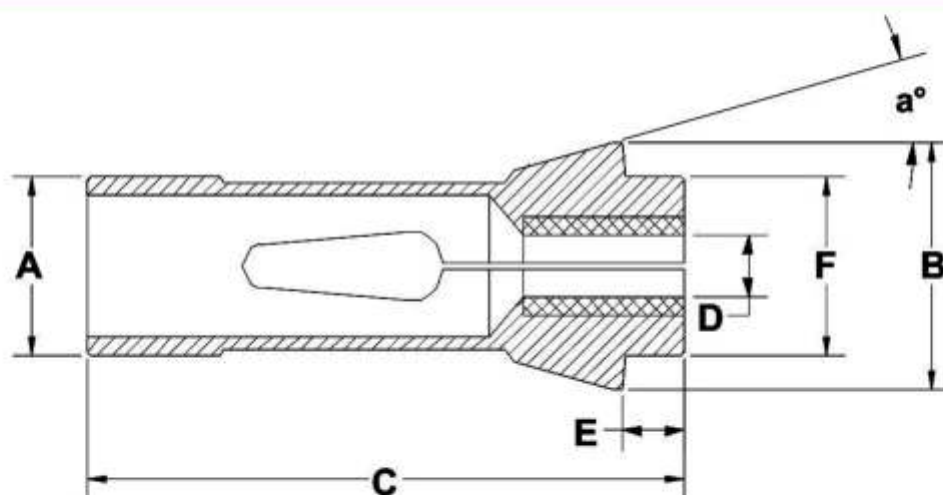


CARBIDE LINED COLLETS - F TYPE

All Dimensions are in "mm"

utech seiki code	Fig.	Ø A	Ø B	C	E	Ø F	Angle - α
USCF7/206		7	10.5	26	3	7	15-Deg
USCF8/577		8	12	42	4.5	8	16-Deg
USCF10/86		10	15.5	47.5	5.5	10	20-Deg
USCF10/1178		10	16	46	4	10	20-Deg
USCF13/357		13	19	64	6	13	16-Deg
USCF14/98		14	18	46	4	14	13-Deg
USCF15/358		15	22	47	5	15	20-Deg
USCF15/580		15	21	64	6	15	16-Deg
USCF16/1076		16	21	64	6	16	16-Deg
USCF18/85		18	25	67	7	19.5	15-Deg





CARBIDE LINED COLLETS - F TYPE

All Dimensions are in "mm"

utech seiki code	Fig.	Ø A	Ø B	C	E	Ø F	Angle - α
USCF20/87		20	28	67	7	21	16-Deg
USCF20/201		20	26	54	5	19	15-Deg
USCF22/71		22	30	55	6	21	15-Deg
USCF22/727		22	32	66	7	25	16-Deg
USCF23.8/9020		23.8	28	62	7	22	15-Deg
USCF25/64		25	35	77	10	27	16-Deg
USCF25/91		25	34	65	6	25	15-Deg
USCF26/9021		26	36	67	7	28	15-Deg
USCF27/22		27	38	72.7	8	30	15-Deg
USCF28/9004		28	35	77	10	27.5	16-Deg
USCF30/63		30	42	80	10	34	16-Deg
USCF30/101		30	38	65	6	32	15-Deg
USCF32/221		32	45	75	8	34	15-Deg



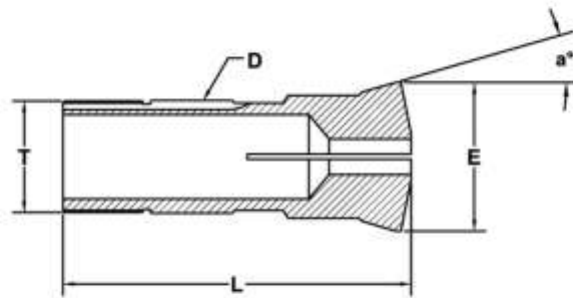


Fig-2

CARBIDE LINED GUIDE BUSHINGS - DRAWN TYPE
 All Dimensions are in "mm"

Utech Seiki Code	Fig	ØD	L	Angle- α	T (Thread size)	ØE
USR22/05	Fig.2	22	68	16	M22x 1	29

